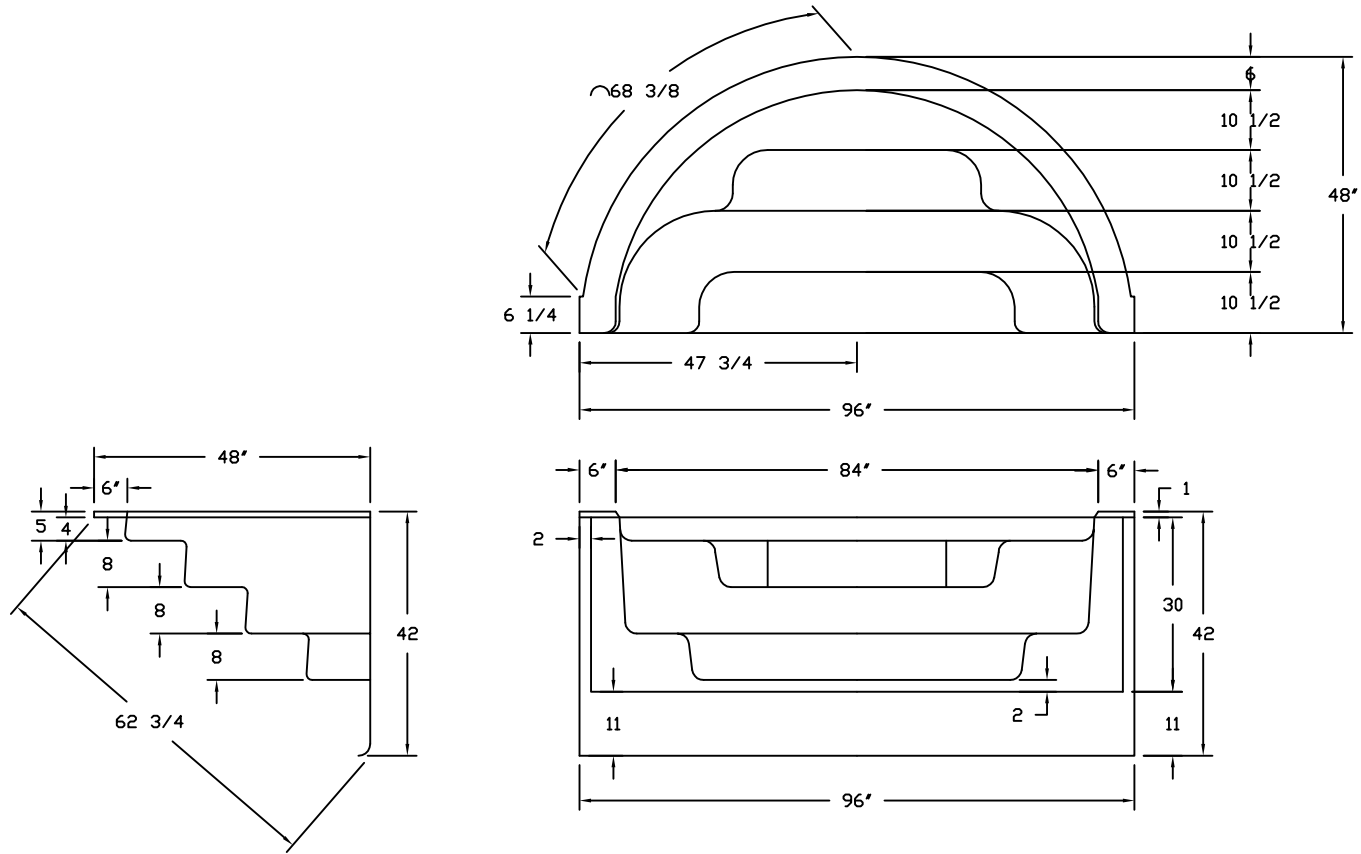


8' STRAIGHT STEP ROMAN BACK CANTILEVER



INFORMATION

