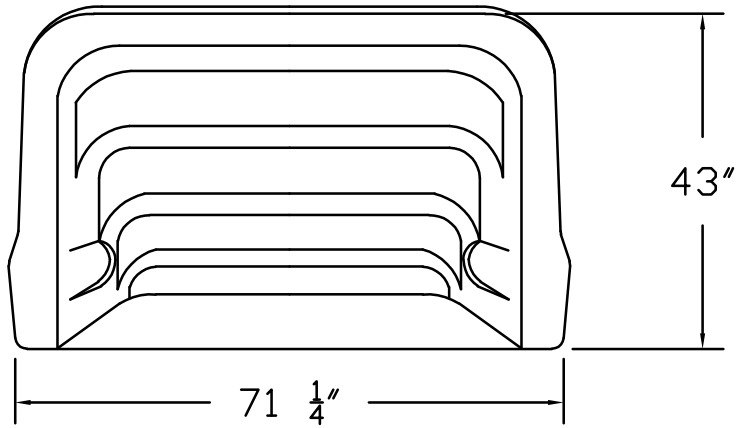
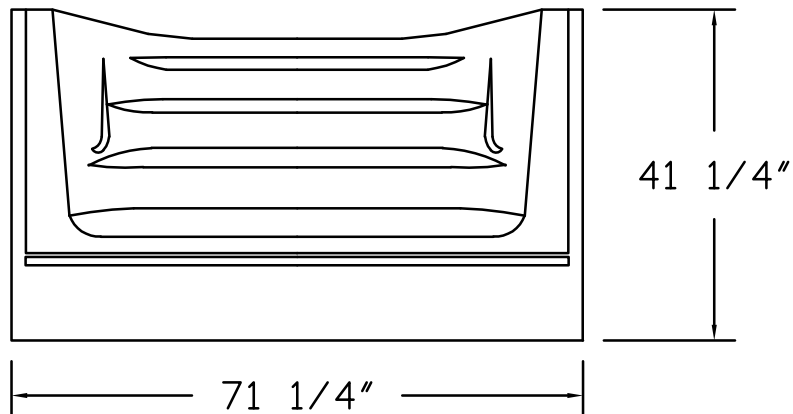


6' CANTILEVER

TOP VIEW



FRONT VIEW



SIDE VIEW

